

DRAWINGS PREPARED  
 THE SOLAIRE  
 155 S COURT AVE  
 ORLANDO, FL 32801

REVISIONS	#

FINISH SCHEDULE	
PL-01	WILSONART / TBD
PL-02	WILSONART / TBD
QZ-01	WISONART / Q4008 / HAIDA
SS-01	CORIAN / TBD

HARDWARE SCHEDULE	
H-1	Blum 105° concealed hinges
H-2	Knapp & Vogt Spoon Pins
H-3	Pulls TBD
H-4	Pro Series 100 full extension slides
H-5	Richelieu 3" Wire Grommet

JOB NOTES	
CABINET GRADE	PLASTIC LAMINATE FACED / AWI CUSTOM
PART	INSTRUCTION
CABINETS & SHELVES	3/4" Melamine White
CABINET BACKS	1/2" Melamine White
DRW & DOOR FRONTS	3/4" MDF Core Door Board
DRAWER BODIES	3/4" Plywood W/ Liner White
DRW CONSTRUCTION	Butt jointed glued mechanically fastened w/ staples
HINGES	Blum concealed hinges 105°
CABINET INTERIOR FINISH	White Liner
CABINET EXTERIOR FINISH	As Shown Per Elevation
EDGE BANDING	Vinyl To Match Finish
DOOR & DRW EDGE	Vinyl To Match Finish

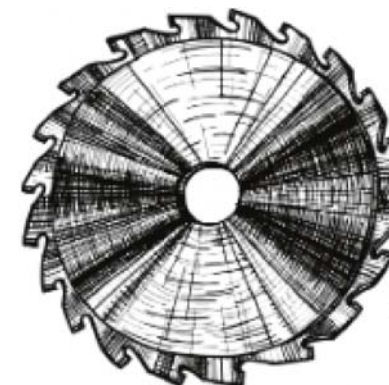
CONTENTS	
CS	COVER SHEET
100.0	LOBBY SOUTH
100.1	LOBBY NORTH
100.2	SECTION AND DETAILS
100.3	MAILROOM
100.4	SECTION AND DETAILS
101.0	RECEPTION
101.1	SECTION AND DETAILS

JOB NAME  
 SOLAIRE

DESCRIPTION  
 COVER SHEET

HEIRLOOMDESIGNGROUP

VETERAN OWNED BUSINESS  
 2770 Apopka Blvd, Apopka, FL 32703  
 Ph: (407) 735-2242  
 Web: www.heirloomdesigngroup.com



**HDG**

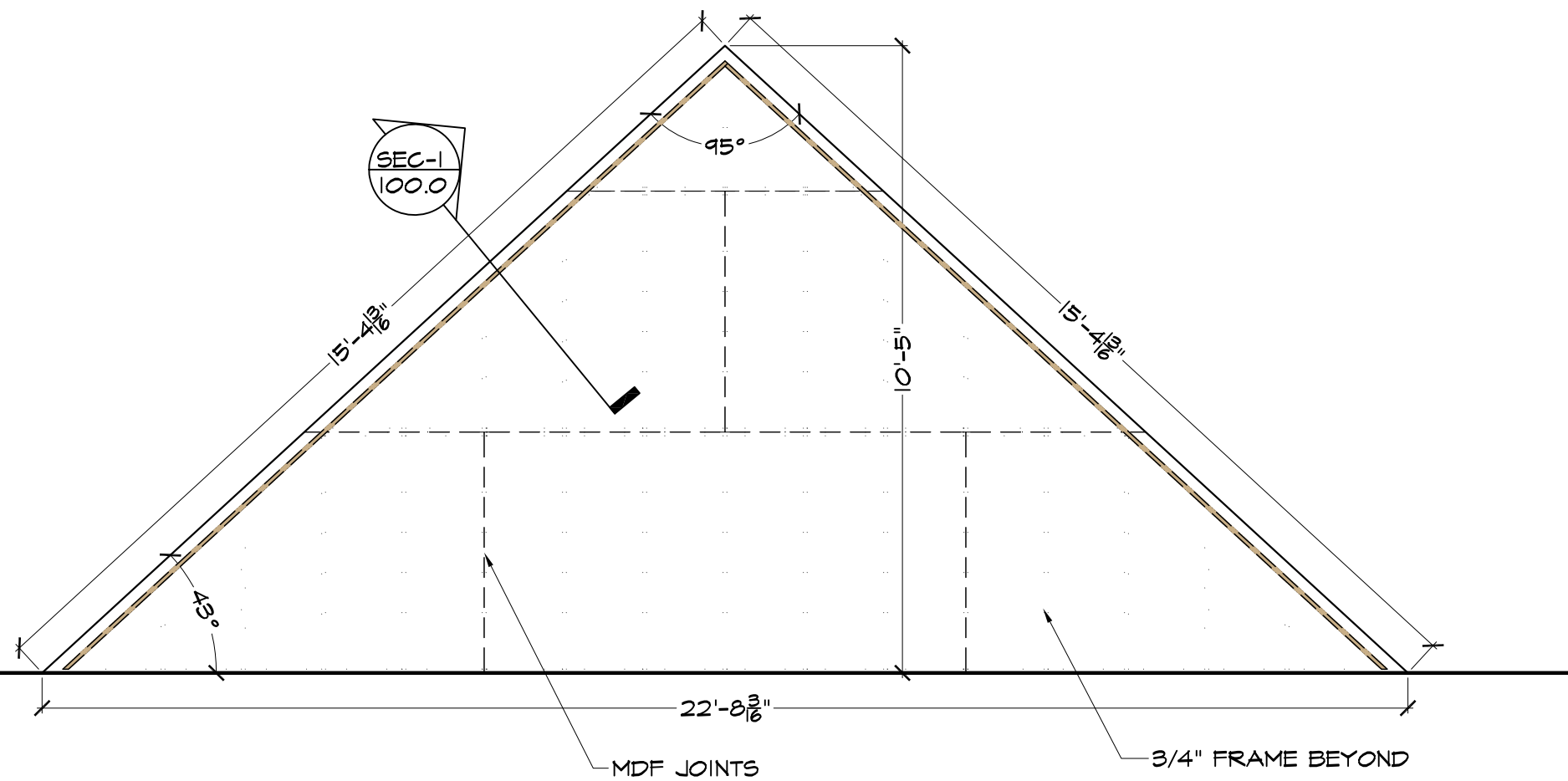
HEIRLOOM DESIGN GROUP, LLC

PAUL W  
 CHECKED  
 DATE  
 10/01/2023  
 SCALE  
 AS INDICATED

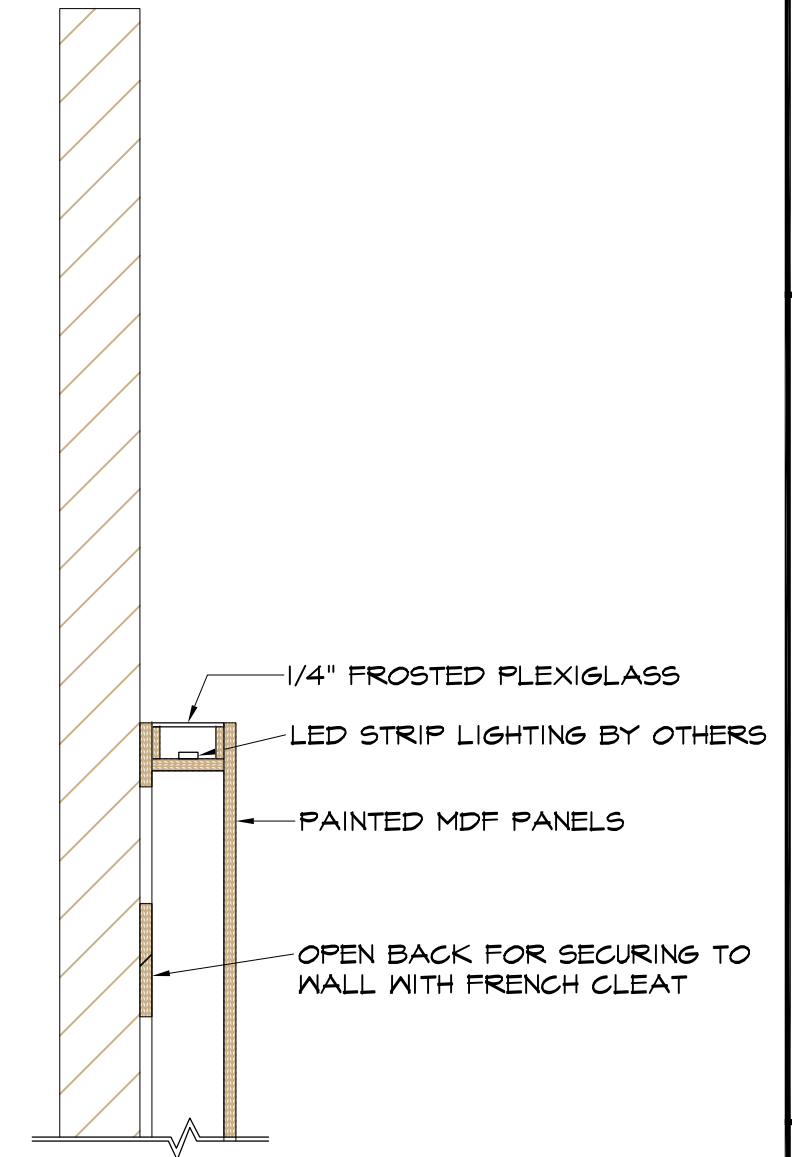
SHEET  
 CS

FINISH SCHEDULE	
PL-01	WILSONART / TBD
PL-02	WILSONART / TBD
QZ-01	WISONART / Q4008 / HAIDA
SS-01	CORIAN / TBD

REVISIONS	#



**A** LOBBY SOUTH LIGHTED TRIANGLE FEATURE  
 SCALE: 3/8" = 1'-0" ARCH. REF: D4/A972



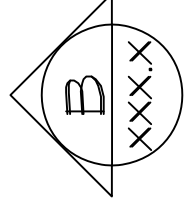
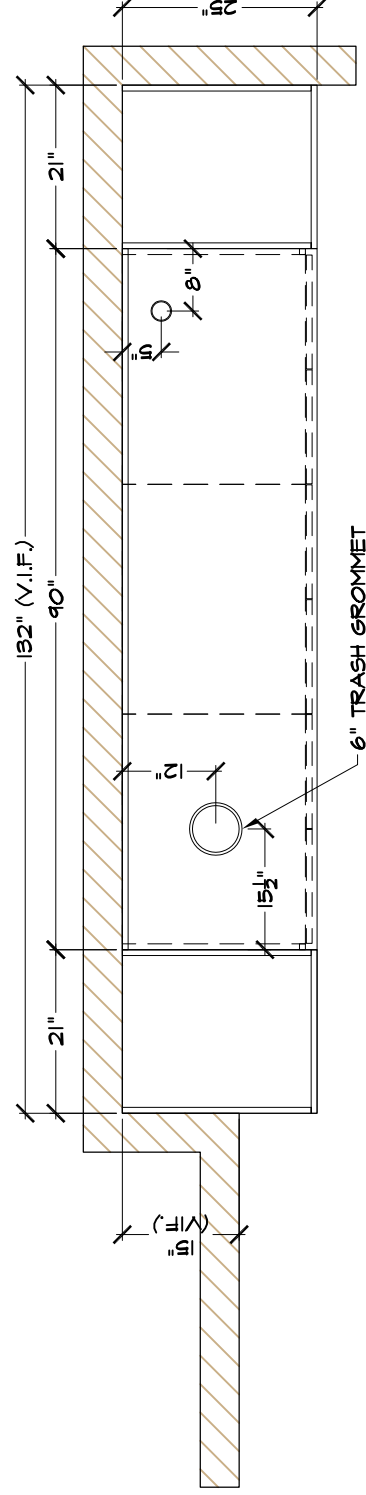
**I** SECTION FEATURE WALL  
 SCALE: 1" = 1'-0" ARCH. REF: A1/1972

JOB NAME	SOLAIRE
DESCRIPTION	LOBBY SOUTH

HEIRLOOMDESIGNGROUP	VETERAN OWNED BUSINESS
2770 Apopka Blvd, Apopka, FL 32703	
Ph: (407) 735-2242	
Web: www.heirloomdesigngroup.com	

PAUL W CHECKED
DATE 10/01/2023
SCALE AS INDICATED

SHEET  
 100.0

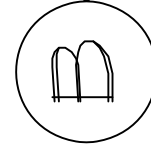
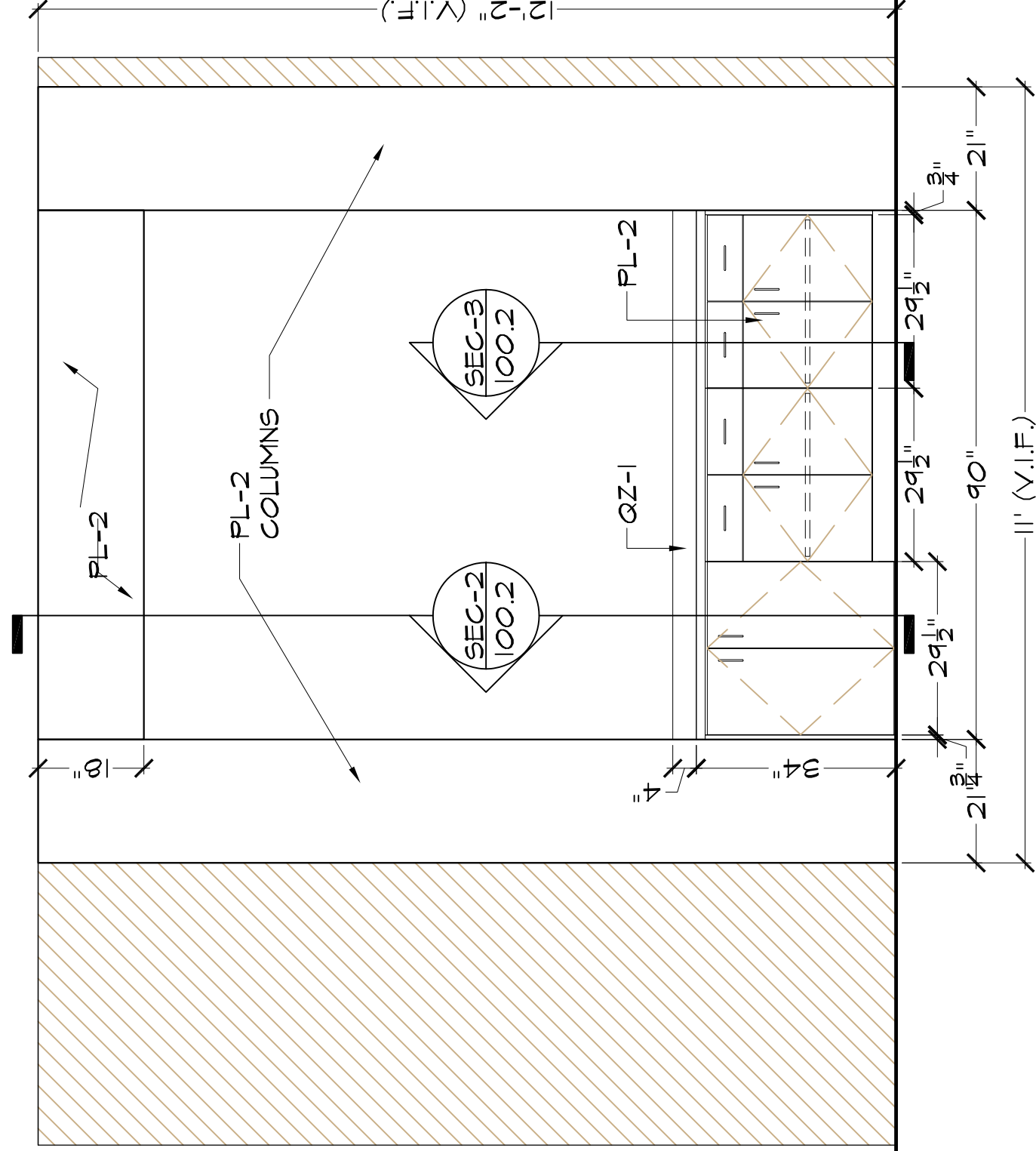


# LOBBY NORTH

SCALE: 3/8" = 1'-0" ARCH. REF: B3/A101

## FINISH SCHEDULE

PL-01	WILSONART / TBD
PL-02	WILSONART / TBD
QZ-01	WILSONART / Q4008 / HAIDA
SS-01	CORIAN / TBD



## LOBBY NORTH ELEVATION

SCALE: 3/8" = 1'-0" ARCH. REF: D3/A172

REVISIONS	#

JOB NAME  
SOLAIRE

DESCRIPTION  
LOBBY NORTH

HEIRLOOMDESIGNGROUP

2770 Apopka Blvd, Apopka, FL 32703  
Ph: (407) 735-2242  
Web: www.heirloomdesigngroup.com

PAUL S  
CHECKED

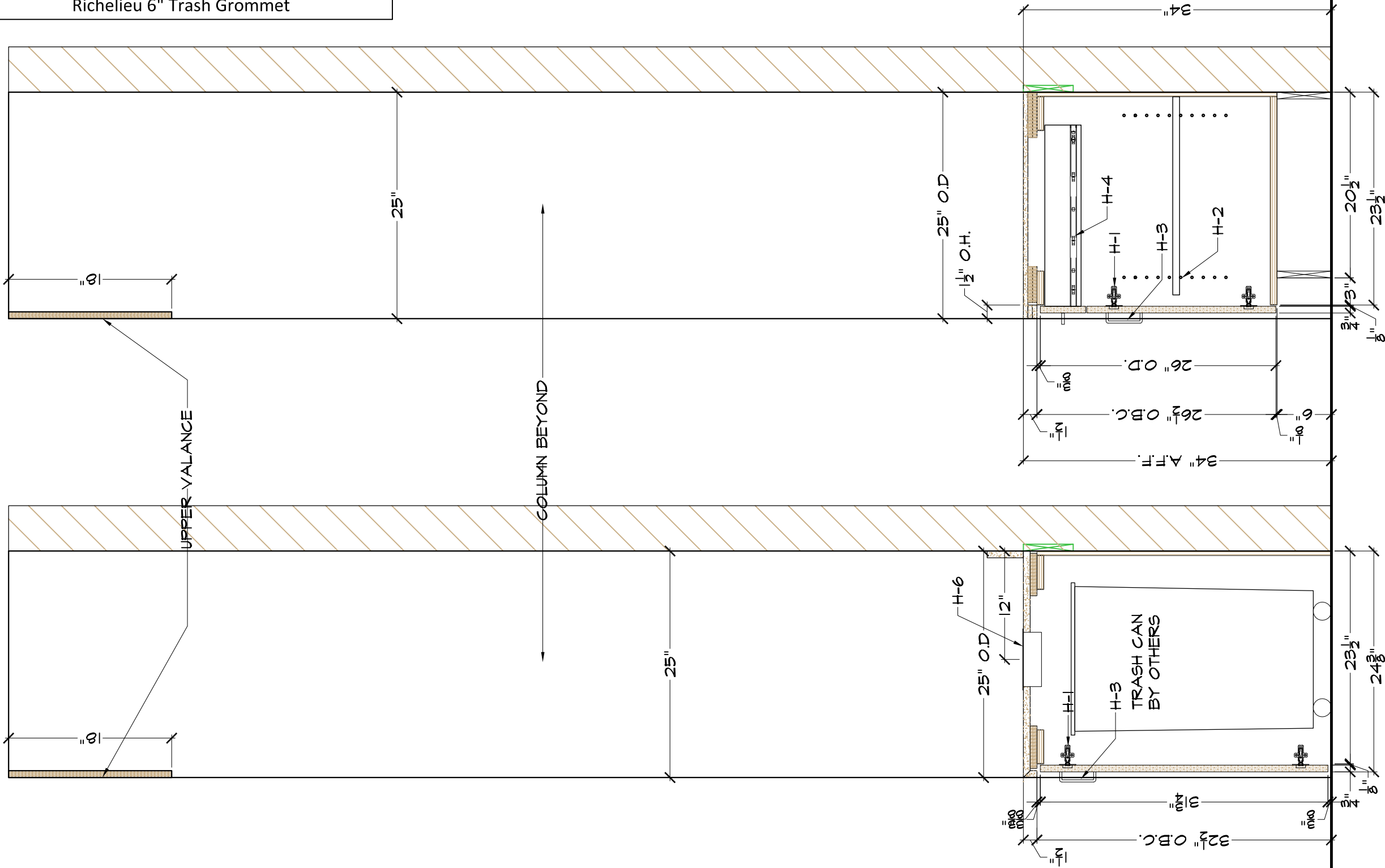
DATE  
10/01/2023

SCALE  
AS INDICATED

SHEET  
100.1

HARDWARE SCHEDULE	
H-1	Blum 105° concealed hinges
H-2	Knapp & Vogt Spoon Pins
H-3	Pulls TBD
H-4	Pro Series 100 full extension slides
H-5	Richelieu 3" Wire Grommet
H-6	Richelieu 6" Trash Grommet

FINISH SCHEDULE	
PL-01	WILSONART / TBD
PL-02	WILSONART / TBD
QZ-01	WISONART / Q4008 / HAIDA
SS-01	CORIAN / TBD



SECTION 2  
SCALE: 1" = 1'-0" ARCH. REF: N/A

SECTION 3  
SCALE: 1" = 1'-0" ARCH. REF: N/A

REVISIONS	#

JOB NAME  
SOLAIRE

DESCRIPTION  
SECTIONS AND DETAILS

**HEIRLOOMDESIGNGROUP**

2770 Apopka Blvd, Apopka, FL 32703  
Ph: (407) 735-2242  
Web: www.heirloomdesigngroup.com

VETERAN OWNED BUSINESS

PAUL ✓  
CHECKED

DATE  
10/01/2023

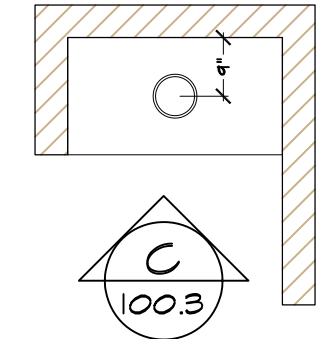
SCALE  
AS INDICATED

SHEET  
100.2

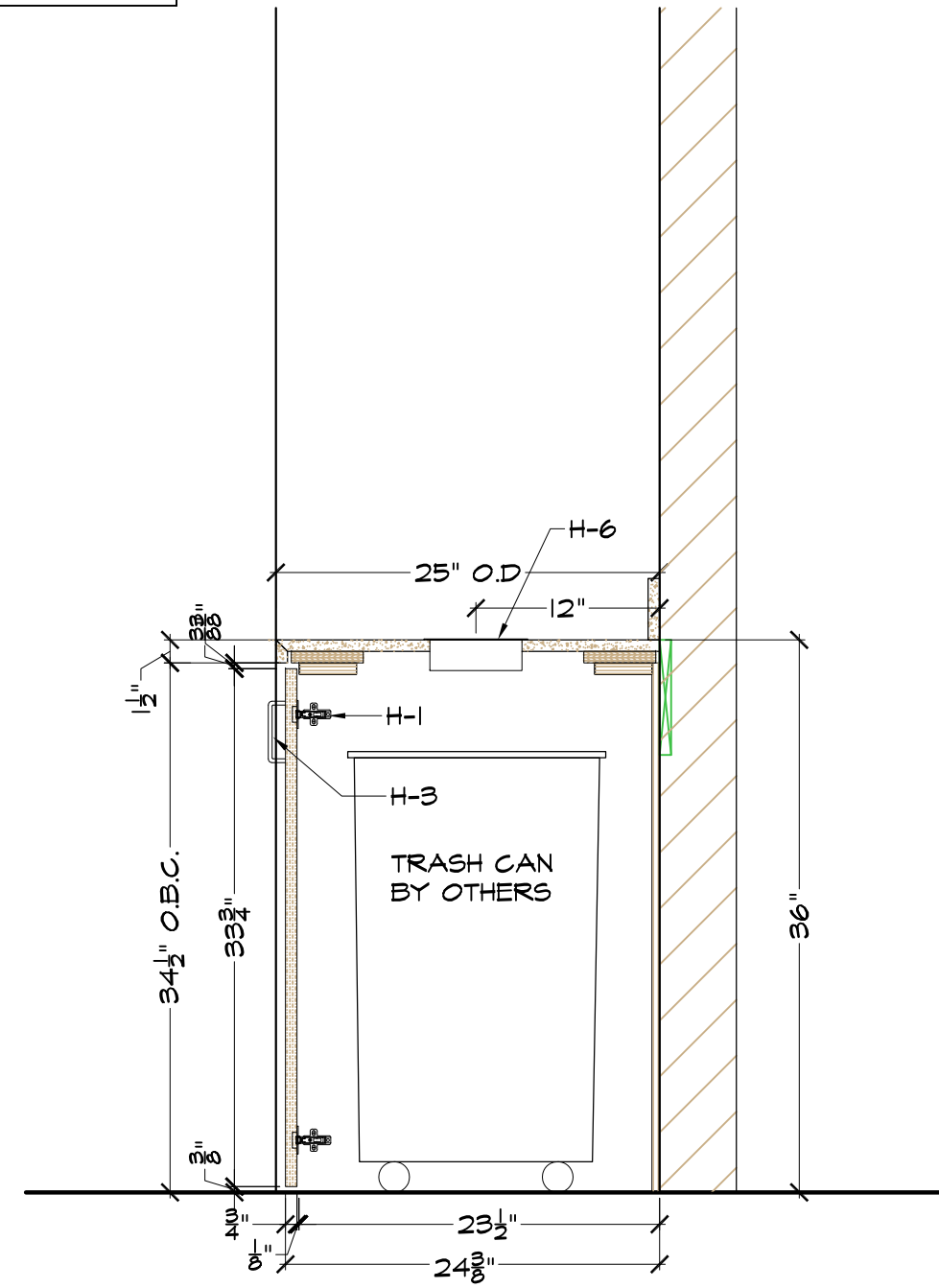
REVISIONS	#

HARDWARE SCHEDULE	
H-1	Blum 105° concealed hinges
H-2	Knapp & Vogt Spoon Pins
H-3	Pulls TBD
H-4	Pro Series 100 full extension slides
H-5	Richelieu 3" Wire Grommet
H-6	Richelieu 6" Trash Grommet

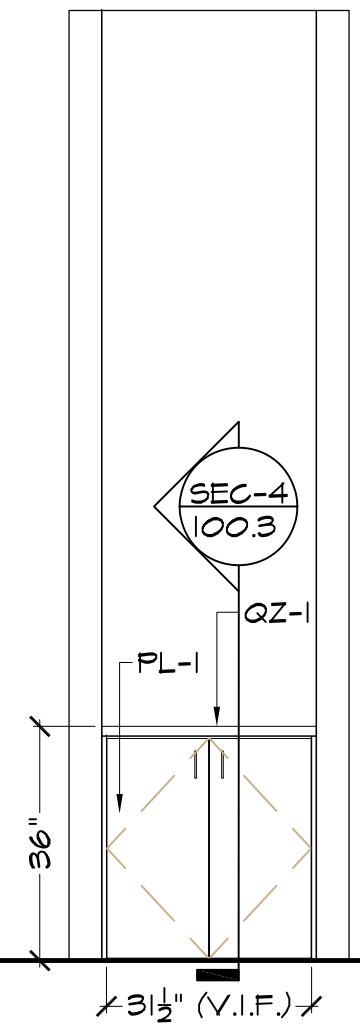
FINISH SCHEDULE	
PL-01	WILSONART / TBD
PL-02	WILSONART / TBD
QZ-01	WISONART / Q4008 / HAIDA
SS-01	CORIAN / TBD



**MAIL ROOM PLAN**  
SCALE: 3/8" = 1'-0" ARCH. REF: B3/A101



**4 SECTION**  
SCALE: 1" = 1'-0" ARCH. REF: N/A



**C MAIL ROOM ELEVATION**  
SCALE: 3/8" = 1'-0" ARCH. REF: B6/A971

JOB NAME  
SOLAIRE

DESCRIPTION  
MAILROOM

**HEIRLOOMDESIGNGROUP**

VETERAN OWNED BUSINESS

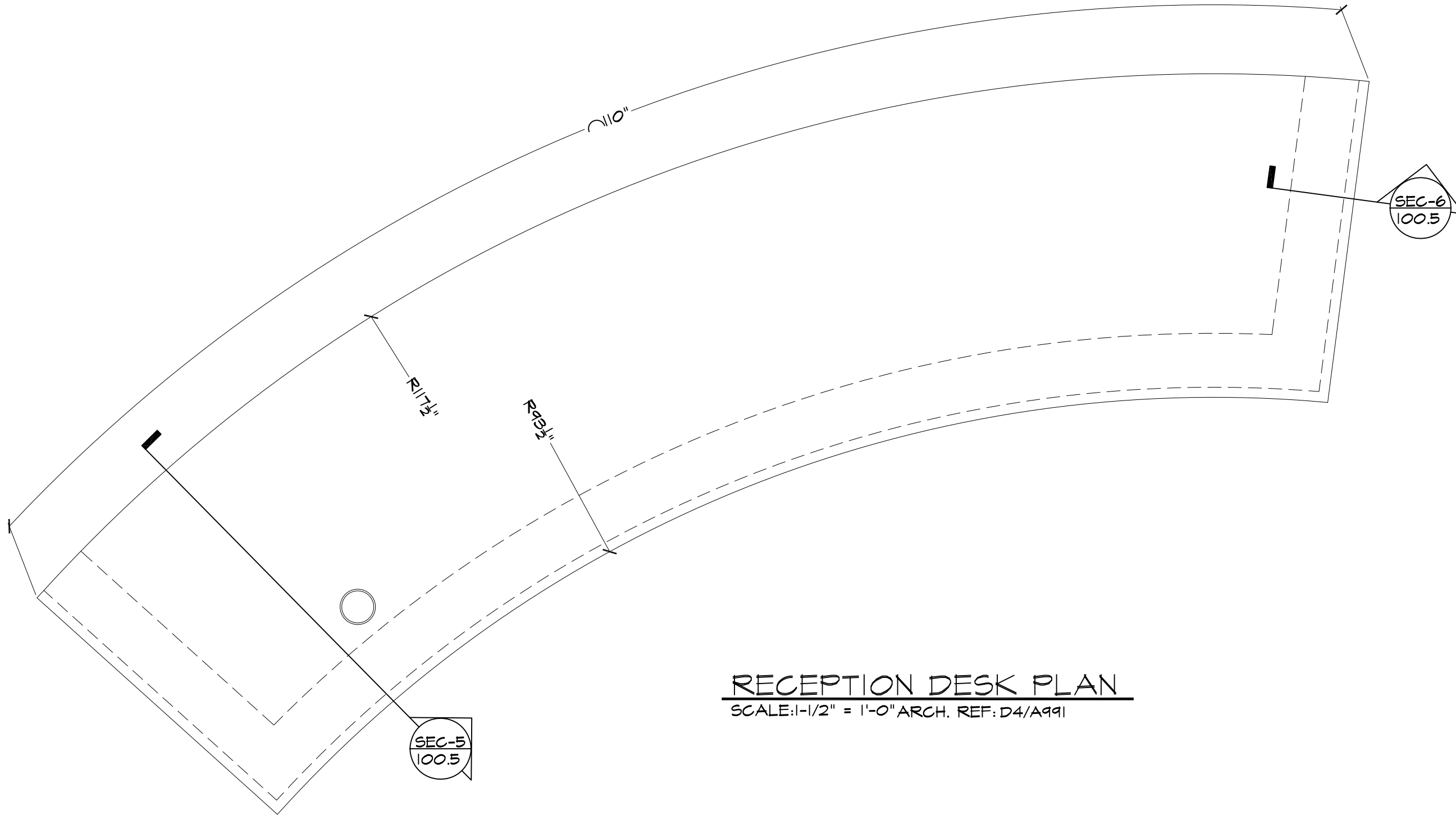
2770 Apopka Blvd, Apopka, FL 32703  
Ph: (407) 735-2242  
Web: www.heirloomdesigngroup.com

PAUL W  
CHECKED

DATE  
10/01/2023

SCALE  
AS INDICATED

SHEET  
100.3



**RECEPTION DESK PLAN**  
 SCALE: 1-1/2" = 1'-0" ARCH. REF: D4/A991

REVISIONS	#

JOB NAME  
 SOLAIRE

DESCRIPTION  
 RECEPTION DESK

**HEIRLOOMDESIGNGROUP**

VETERAN OWNED BUSINESS  
 2770 Apopka Blvd, Apopka, FL 32703  
 Ph: (407) 735-2242  
 Web: www.heirloomdesigngroup.com

PAUL N  
 CHECKED

DATE  
 10/01/2023

SCALE  
 AS INDICATED

SHEET  
 100.4

REVISIONS	#

HARDWARE SCHEDULE		FINISH SCHEDULE	
H-1	Blum 105° concealed hinges	PL-01	WILSONART / TBD
H-2	Knapp & Vogt Spoon Pins	PL-02	WILSONART / TBD
H-3	Pulls TBD	QZ-01	WISONART / Q4008 / HAIDA
H-4	Pro Series 100 full extension slides	SS-01	CORIAN / TBD
H-5	Richelieu 3" Wire Grommet		
H-6	Richelieu 6" Trash Grommet		

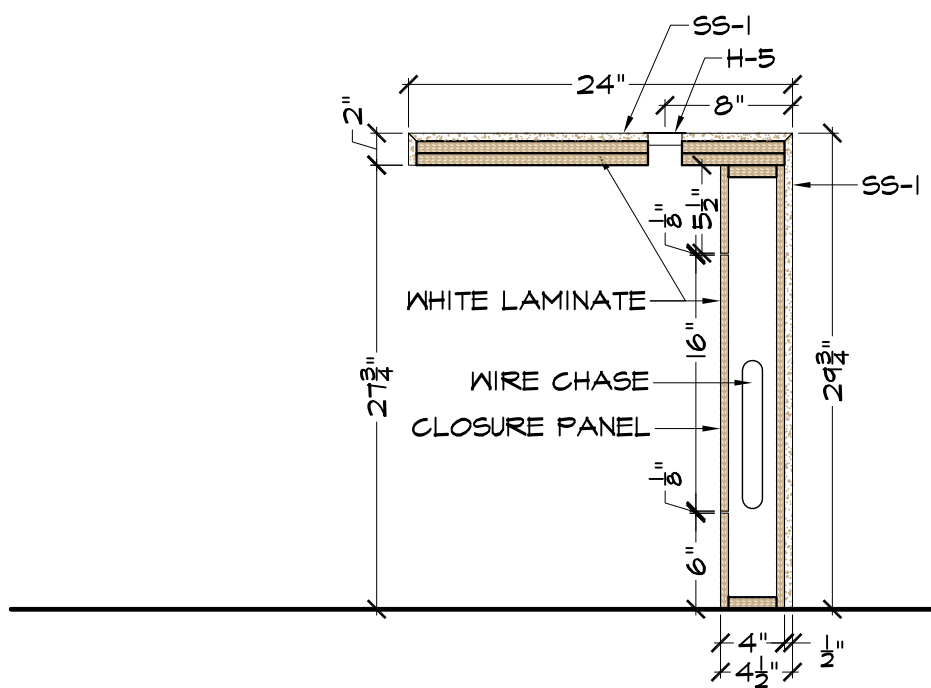
JOB NAME  
SOLAIRE

DESCRIPTION  
SECTIONS AND DETAILS

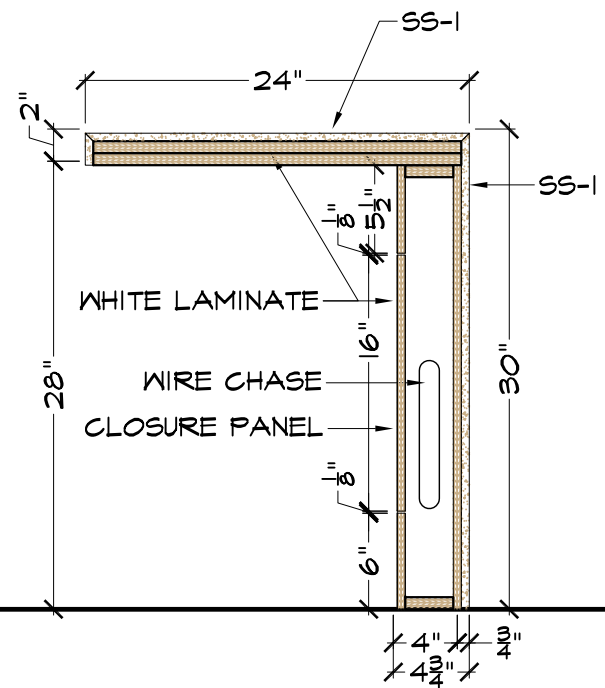
HEIRLOOMDESIGNGROUP

VETERAN OWNED BUSINESS

2770 Apopka Blvd, Apopka, FL 32703  
Ph: (407) 735-2242  
Web: www.heirloombdesigngroup.com



5 SECTION  
SCALE: 1" = 1'-0" ARCH. REF: N/A



6 SECTION  
SCALE: 1" = 1'-0" ARCH. REF: N/A

PAUL N  
CHECKED

DATE  
10/01/2023

SCALE  
AS INDICATED

SHEET  
100.5