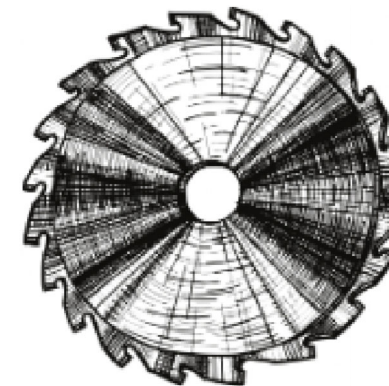


SHOP DRAWING PACKAGE PREPARED FOR  
 LIGHTBRIDGE ACADEMY  
 8555 S. COMMERCE CENTRE DR.  
 PORT ST. LUCIE, FL 34986

**JOB NOTES**

CABINET GRADE	PLASTIC LAMINATE FACED / AWI CUSTOM
PART	INSTRUCTION
CABINETS & SHELVES	3/4" Melamine Construction
CABINET BACKS	1/2" Melamine
DRW & DOOR FRONTS	MDF door board White Interior
DRAWER BODIES	1/2" Melamine 5 piece drw.
DRW CONSTRUCTION	Butt jointed glued mechanically fastened w/ staples
HINGES	Blum concealed hinges 120°
PULLS	Amerock BP53003 Polished chrome
SLIDES	Grass 6036-550mm with self-closing feature 100 lb. White
FILE SLIDES	Grass 6023-550mm with file rails. Full extension. 100 lb. White
INTERIOR COLOR	White
SHELF SUPPORT	5mm chrome shelf pin HR 1402BN, 24mm, with Bainbridge # 3409 shelf hold down. White
SEMIEXPOSED EDGE	1/2mm Vinyl Edge to match interiors
EXPOSED CABINET EDGE	2mm Vinyl Edge 7937 River Cherry
DOOR & DRW EDGE	2mm Vinyl Edge 7937 River Cherry
LAMINATED COUNTERS	3/4 Plywood / Self edge to match counter laminate
SPLASHES	4" Splashes u.o.n. / Locations per elevations
LOCKS	Magnetic Key Locks

CONTENTS	
CS	COVER SHEET
100.1	STAFF LOUNGE
100.2	CLASSROOM PANTRY
100.3	INFANT PANTRY
100.4	INFANT PANTRY
100.5	INFANT PANTRY
100.6	HOSPITALITY AND RESTROOMS
100.7	SECTIONS
100.8	SECTIONS



**HDBG**

HEIRLOOM DESIGN GROUP, LLC

REVISIONS #

JOB NAME  
LIGHTBRIDGE ACADEMY

DESCRIPTION  
COVER SHEET / DETAILS

HEIRLOOMDESIGNGROUP

VETERAN OWNED BUSINESS  
 2770 Apopka Blvd, Apopka, FL 32703  
 Ph: (407) 735-2242  
 Web: www.heirloomdesigngroup.com

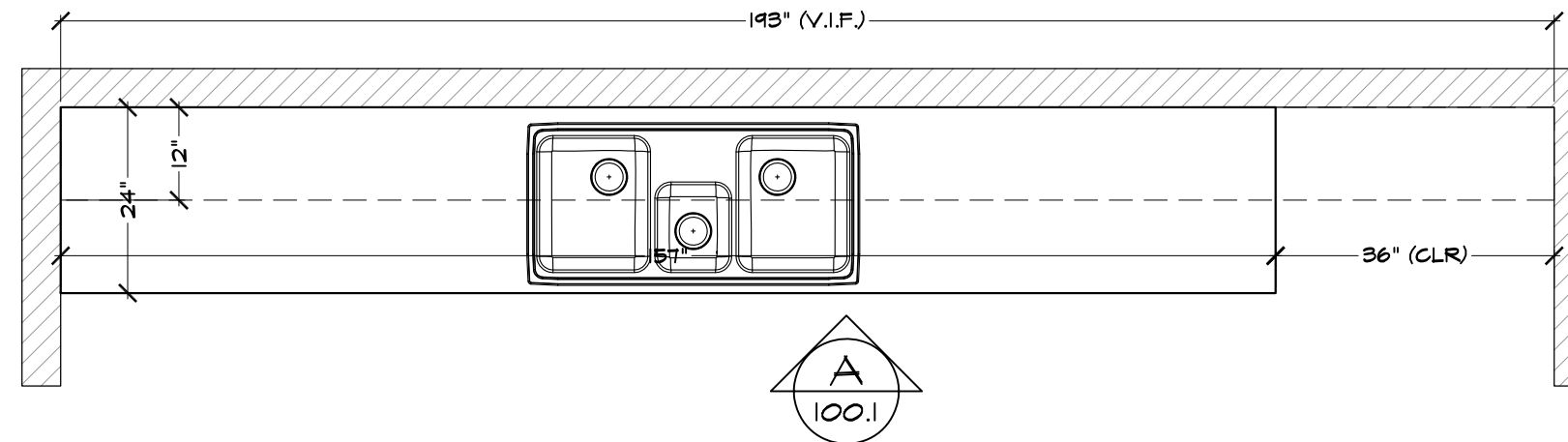
PAUL CHECKED

DATE  
07/01/23

SCALE  
AS INDICATED

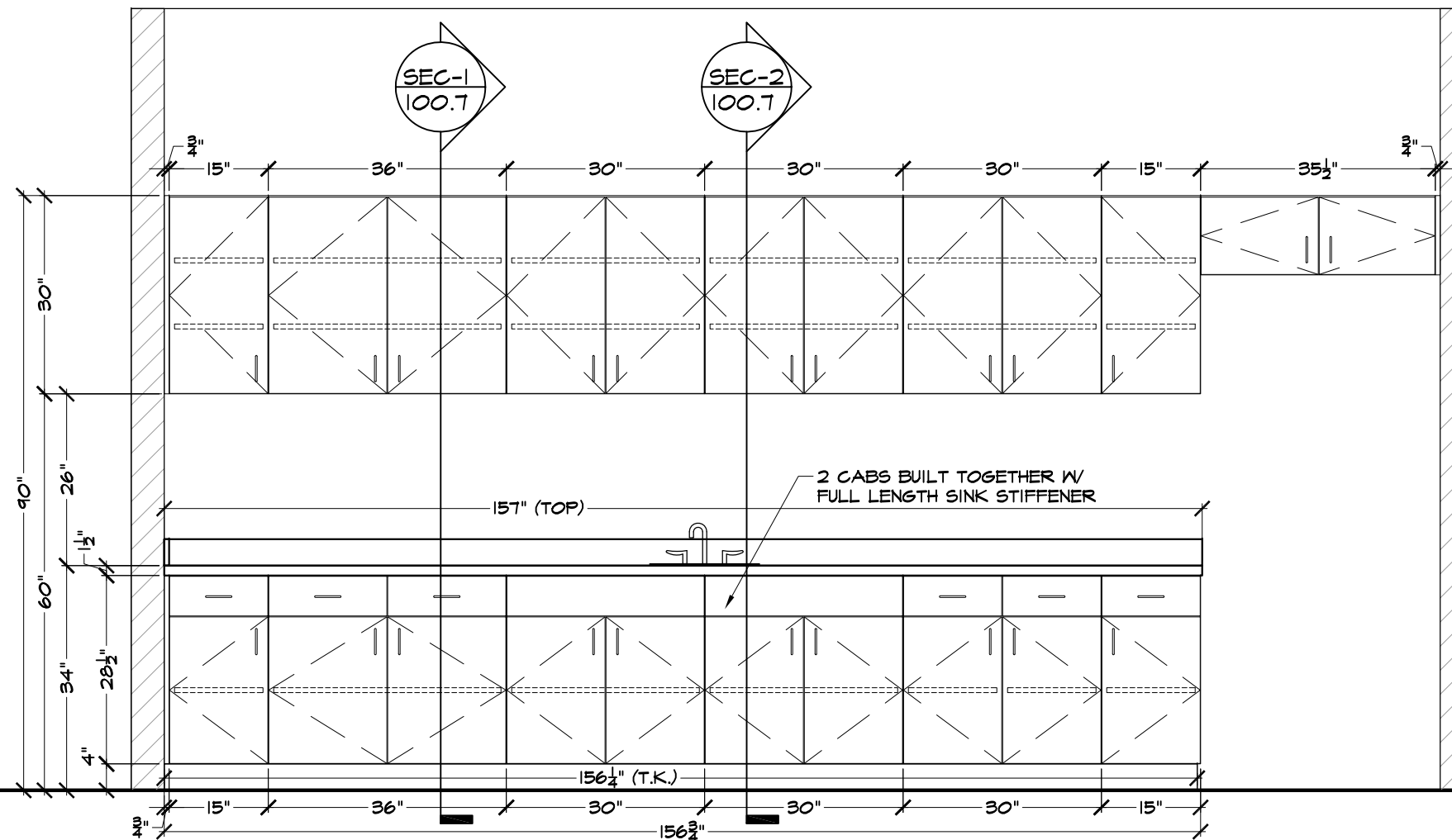
SHEET

CS



**PLAN VIEW**

SCALE: 1/2" = 1'-0" ARCH. REF: 2/A403



**ELEVATION**

SCALE: 1/2" = 1'-0" ARCH. REF: 4/A403

REVISIONS	#

JOB NAME  
LIGHTBRIDGE ACADEMY

DESCRIPTION  
STAFF LOUNGE

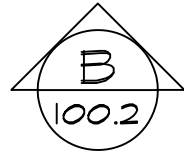
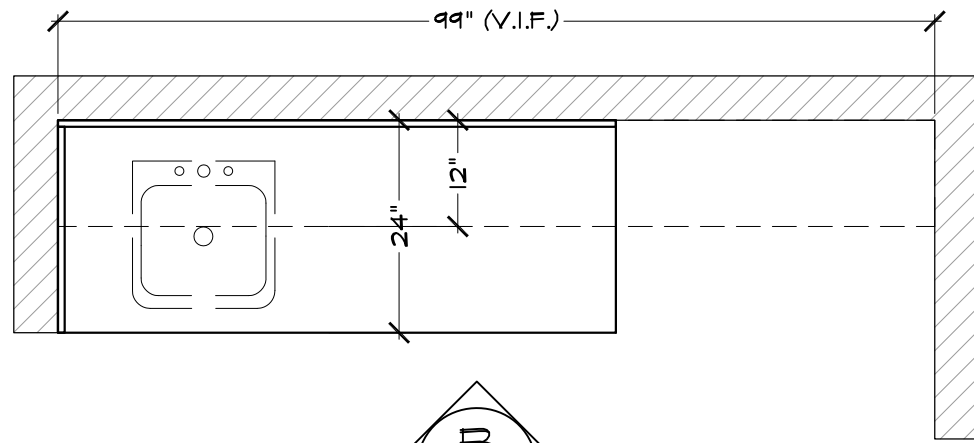
HEIRLOOMDESIGNGROUP

VETERAN OWNED BUSINESS  
2770 Apopka Blvd, Apopka, FL 32703  
Ph: (407) 735-2242  
Web: www.heirloomsdesigngroup.com

PAUL CHECKED

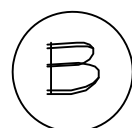
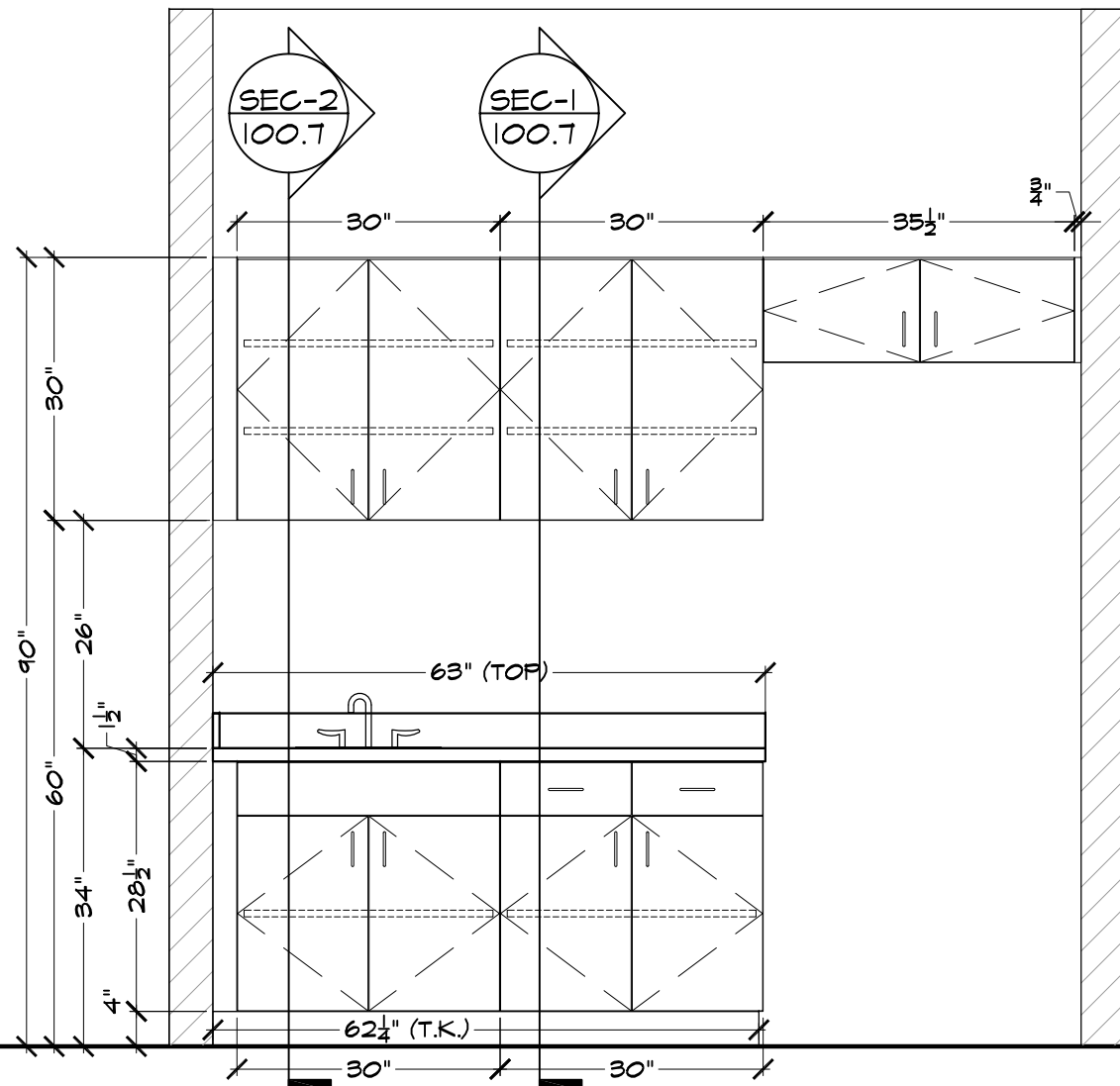
DATE  
07/25/23  
SCALE  
AS INDICATED

SHEET  
100.1



**PLAN VIEW**

SCALE: 1/2" = 1'-0" ARCH. REF: 1/A403



**ELEVATION**

SCALE: 1/2" = 1'-0" ARCH. REF: 4/A403

REVISIONS	#

JOB NAME  
LIGHTBRIDGE ACADEMY

DESCRIPTION  
CLASSROOM PANTRY

HEIRLOOMDESIGNGROUP

2770 Apopka Blvd, Apopka, FL 32703  
Ph: (407) 735-2242  
Web: www.heirloomsdesigngroup.com

PAUL  
CHECKED

DATE  
07/25/23

SCALE  
AS INDICATED

SHEET  
100.2

REVISIONS	#

JOB NAME  
LIGHTBRIDGE ACADEMY

DESCRIPTION  
INFANT PANTY

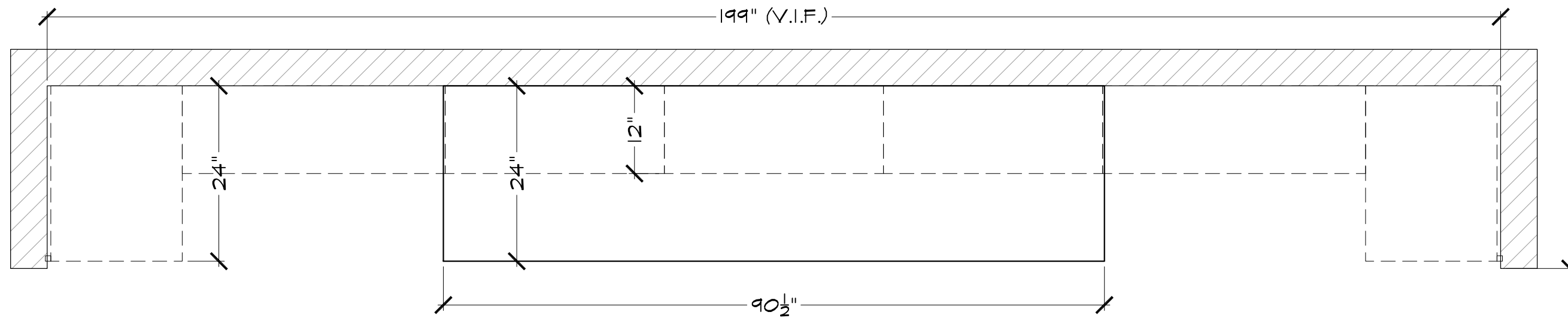
HEIRLOOMDESIGNGROUP

VETERAN OWNED BUSINESS  
2770 Apopka Blvd, Apopka, FL 32703  
Ph: (407) 735-2242  
Web: www.heirloomsdesigngroup.com

PAUL CHECKED

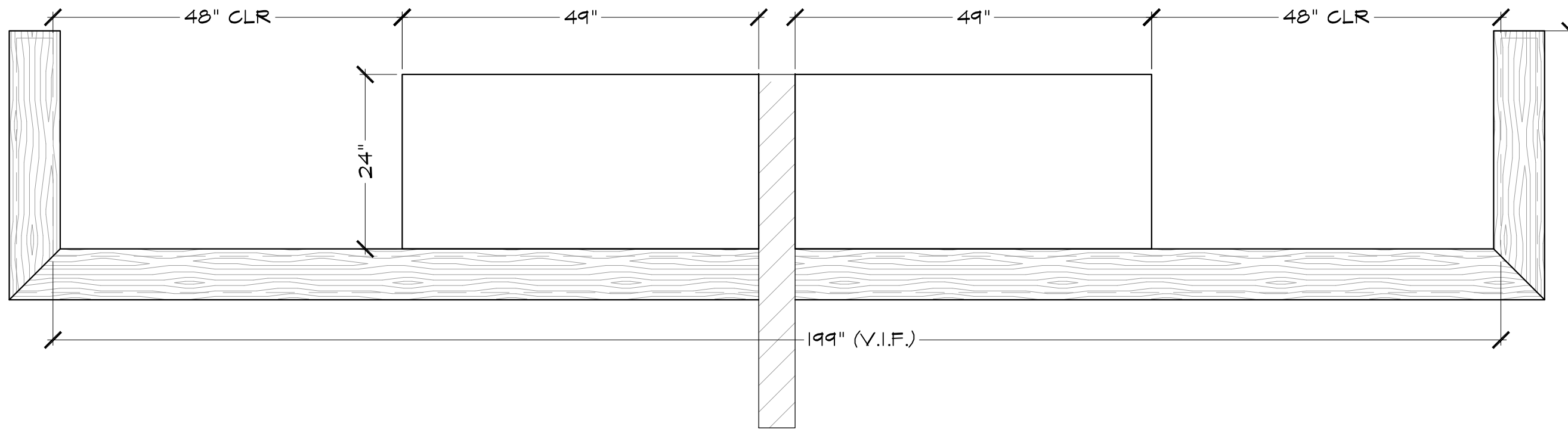
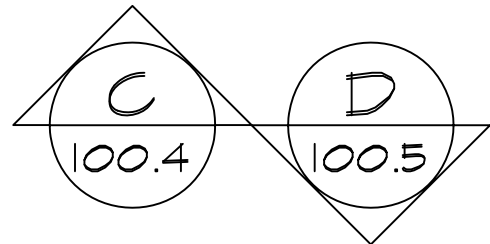
DATE  
07/25/23  
SCALE  
AS INDICATED

SHEET  
100.3

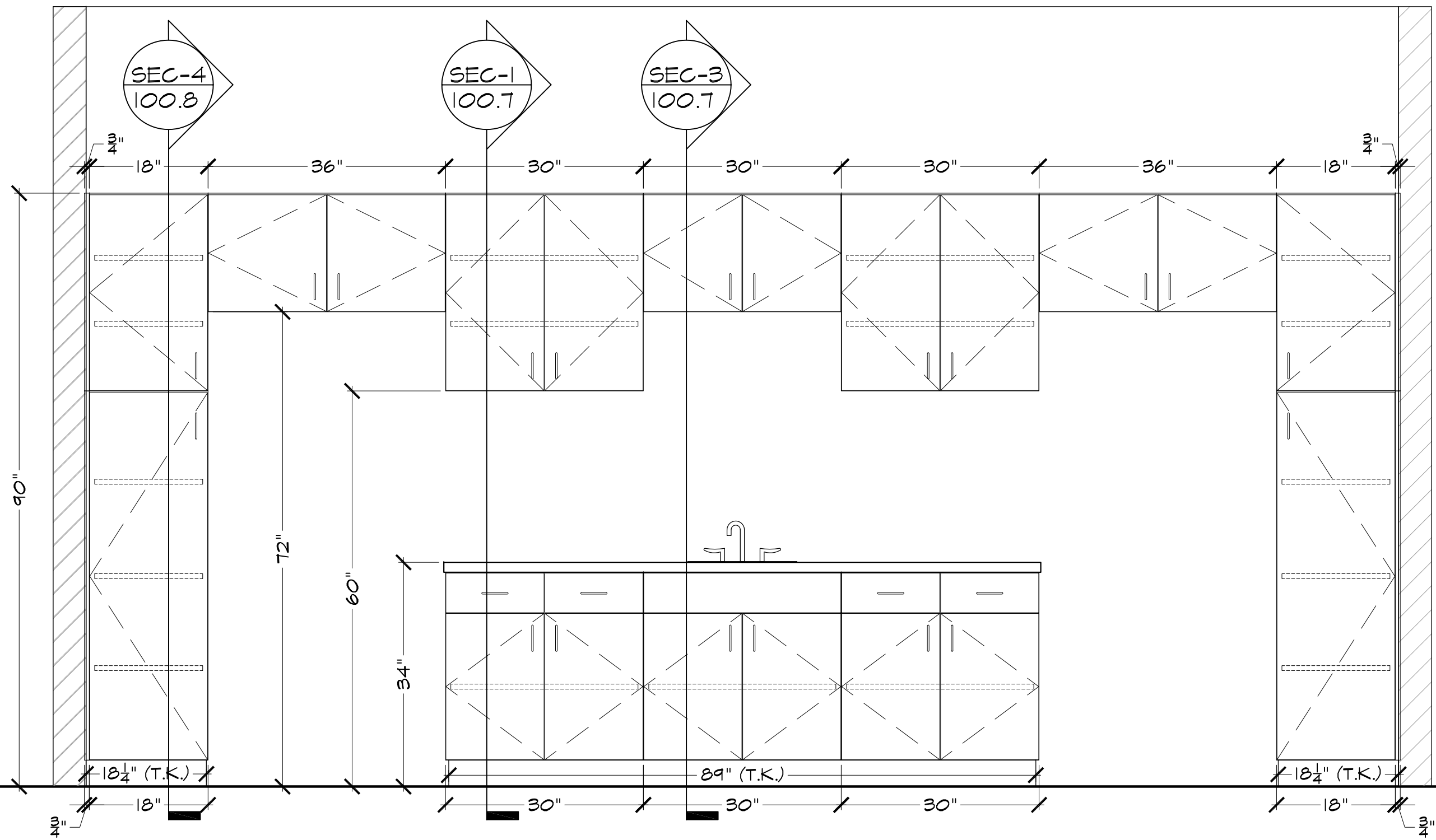


PLAN VIEW

SCALE: 1/2" = 1'-0" ARCH. REF: 3/A403



REVISIONS	#



**C** ELEVATION  
 SCALE: 1/2" = 1'-0" ARCH. REF: 3A/A403

JOB NAME  
 LIGHTBRIDGE ACADEMY

DESCRIPTION  
 INFANT PANTY

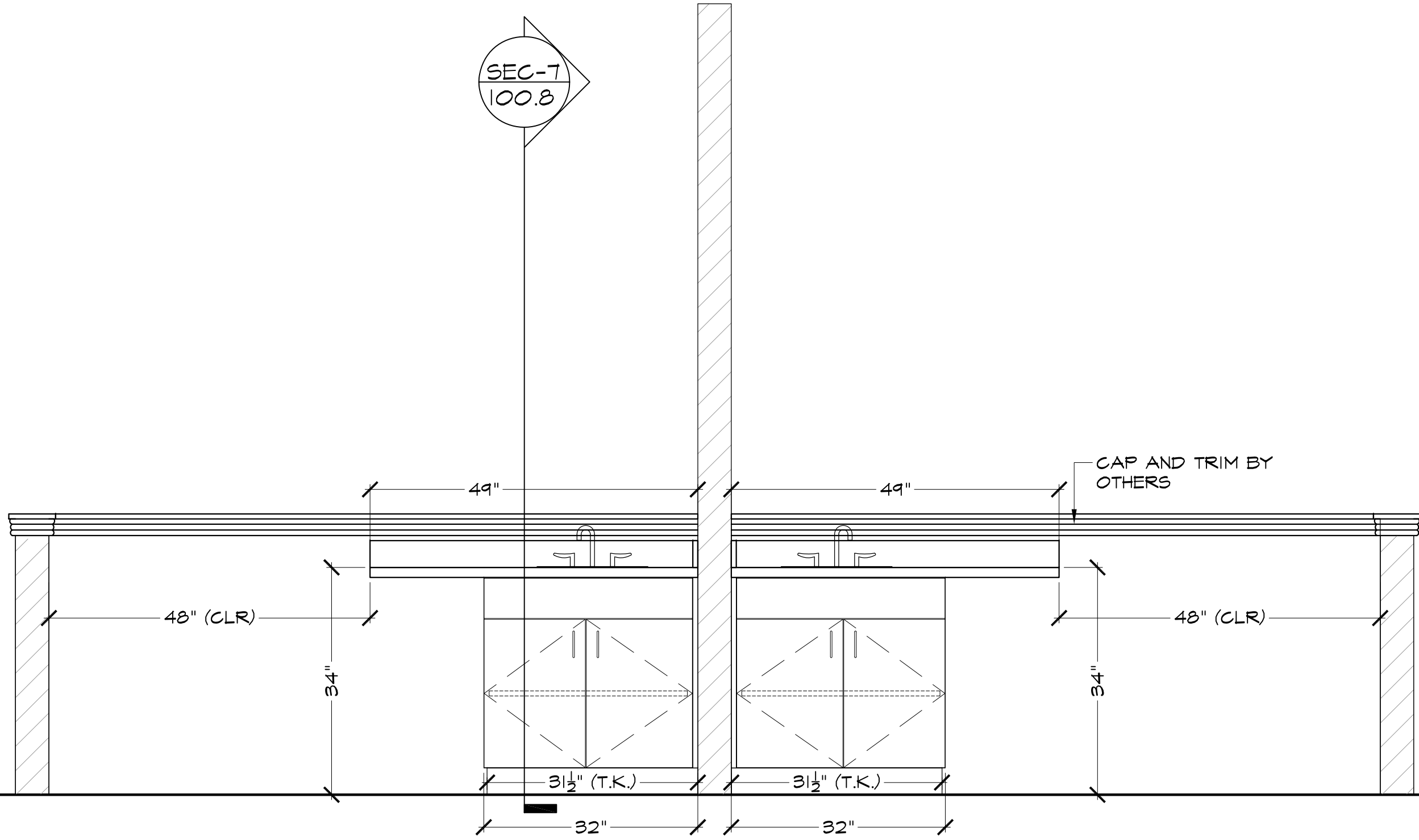
HEIRLOOMDESIGNGROUP

2770 Apopka Blvd, Apopka, FL 32703  
 Ph: (407) 735-2242  
 Web: www.heirloombuildinggroup.com

VETERAN  
 OWNED  
 BUSINESS

PAUL  
 CHECKED  
 DATE  
 07/25/23  
 SCALE  
 AS INDICATED

SHEET  
 100.4



D

ELEVATION

SCALE: 1/2" = 1'-0" ARCH. REF: 3B/A403

REVISIONS	#

JOB NAME  
LIGHTBRIDGE ACADEMY

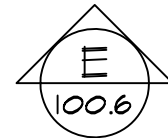
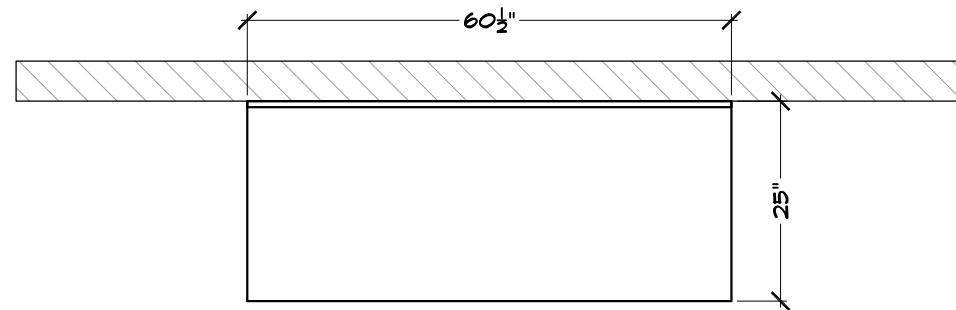
DESCRIPTION  
INFANT PANTY

HEIRLOOMDESIGNGROUP

VETERAN OWNED BUSINESS  
2770 Apopka Blvd, Apopka, FL 32703  
Ph: (407) 735-2242  
Web: www.heirloombdesigngroup.com

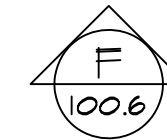
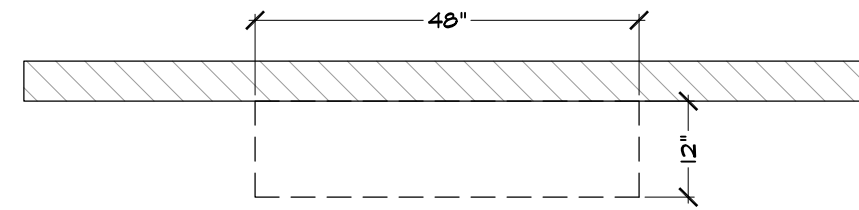
PAUL CHECKED
DATE 07/25/23
SCALE AS INDICATED

SHEET  
100.5



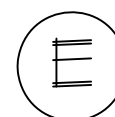
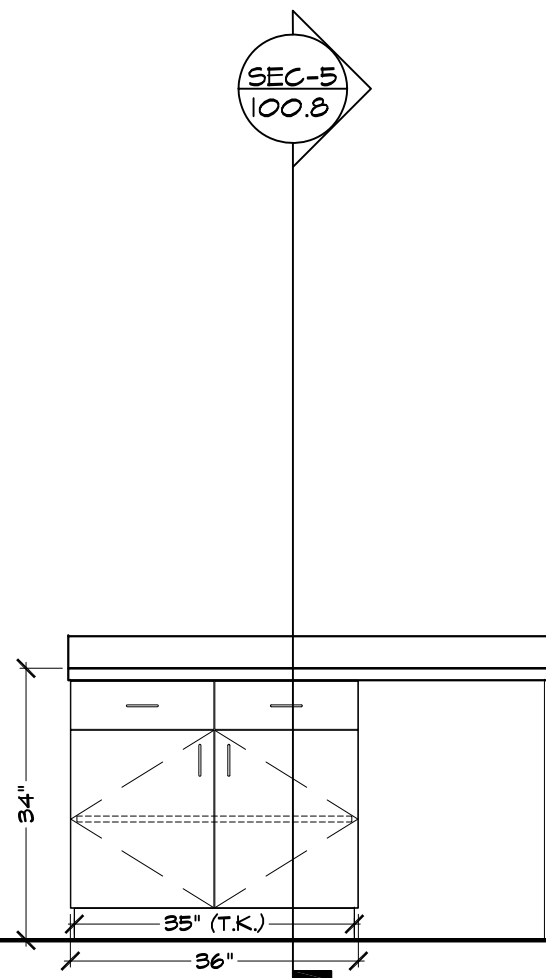
PLAN VIEW

SCALE: 1/2" = 1'-0" ARCH. REF: 3/A403



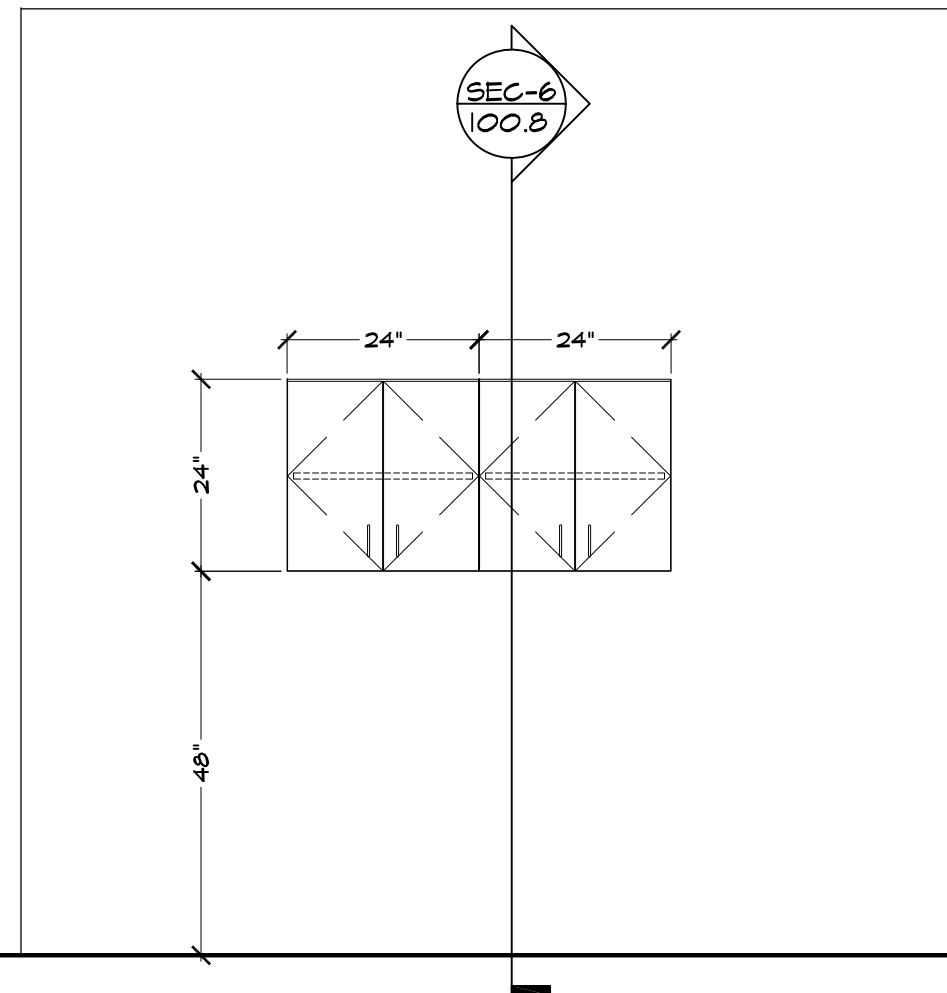
PLAN VIEW

SCALE: 1/2" = 1'-0" ARCH. REF: 1B/A401



ELEVATION

SCALE: 1/2" = 1'-0" ARCH. REF: 3A/A403



ELEVATION

SCALE: 1/2" = 1'-0" ARCH. REF: 3A/A403

REVISIONS	#

JOB NAME  
LIGHTBRIDGE ACADEMY

DESCRIPTION  
HOSPITALITY AND RESTROOMS

HEIRLOOMDESIGNGROUP

2770 Apopka Blvd, Apopka, FL 32703

Ph: (407) 735-2242

Web: www.heirloomdesigngroup.com

VETERAN OWNED BUSINESS

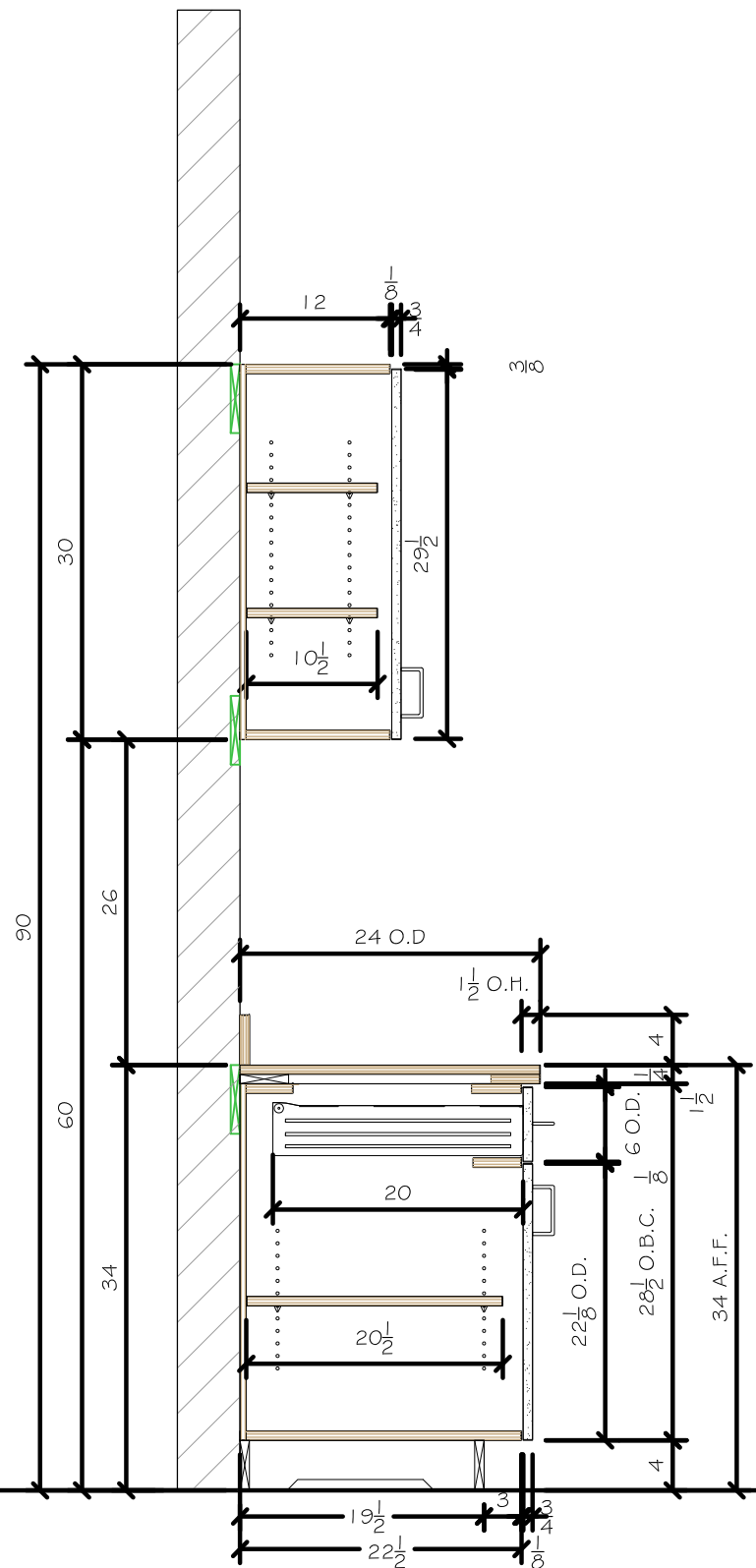
PAUL CHECKED

DATE  
07/25/23

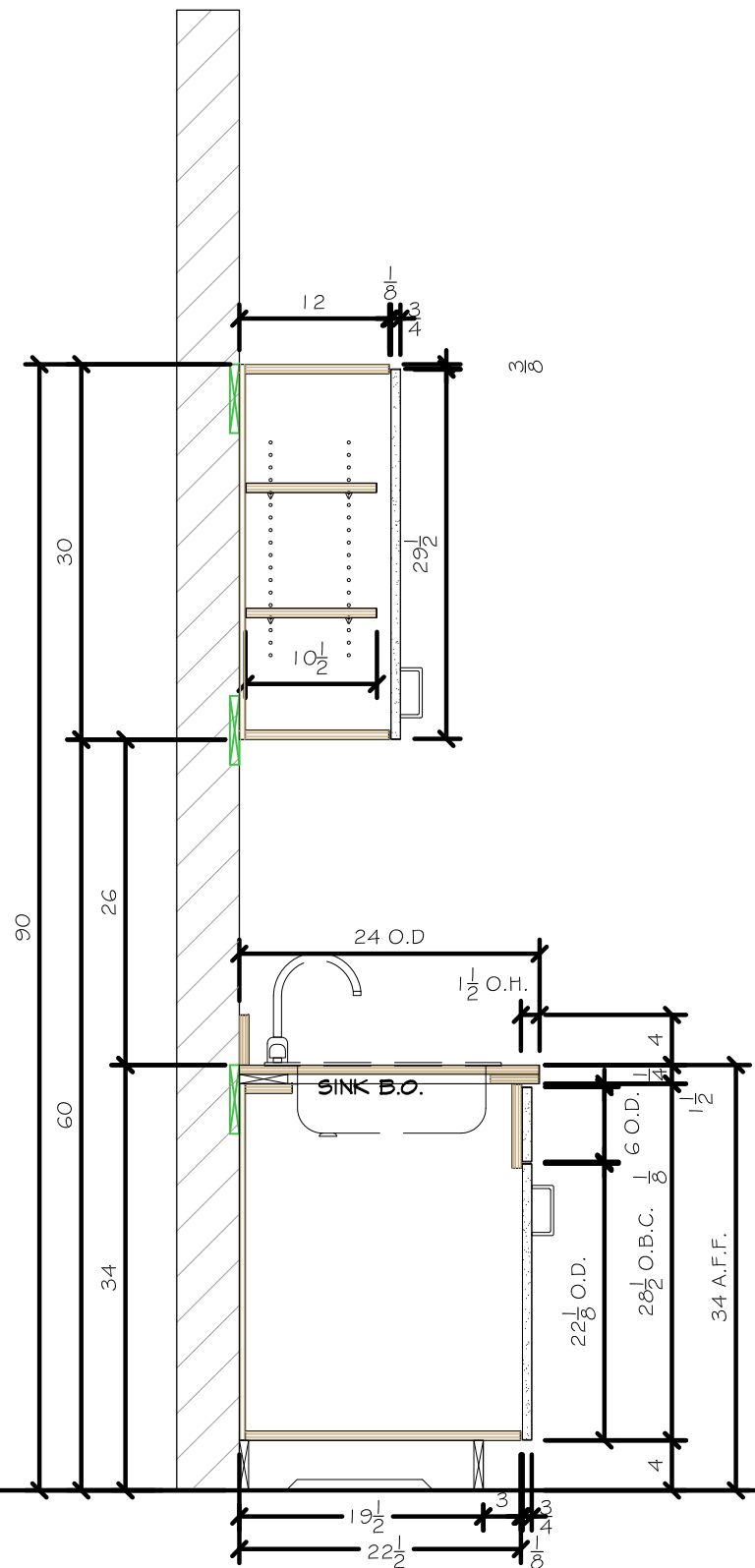
SCALE  
AS INDICATED

SHEET  
100.6

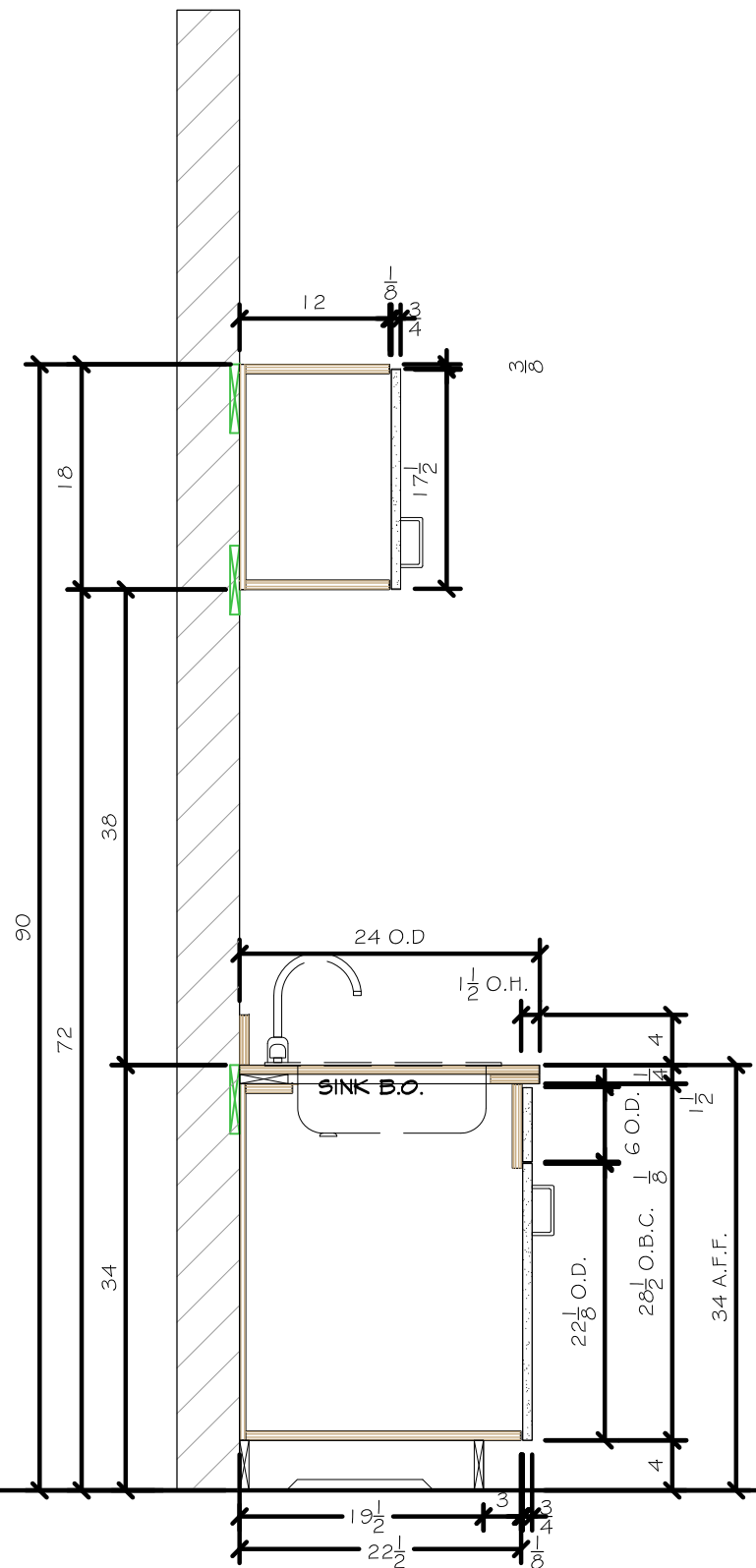
REVISIONS	#



1 SECTION  
SCALE: 1" = 1'-0" ARCH. REF: N/A



2 SECTION  
SCALE: 1" = 1'-0" ARCH. REF: N/A



3 SECTION  
SCALE: 1" = 1'-0" ARCH. REF: N/A

JOB NAME  
LIGHTBRIDGE ACADEMY

DESCRIPTION  
SECTIONS

HEIRLOOMDESIGNGROUP

2770 Apopka Blvd, Apopka, FL 32703  
Ph: (407) 735-2242  
Web: www.heirloomsdesigngroup.com

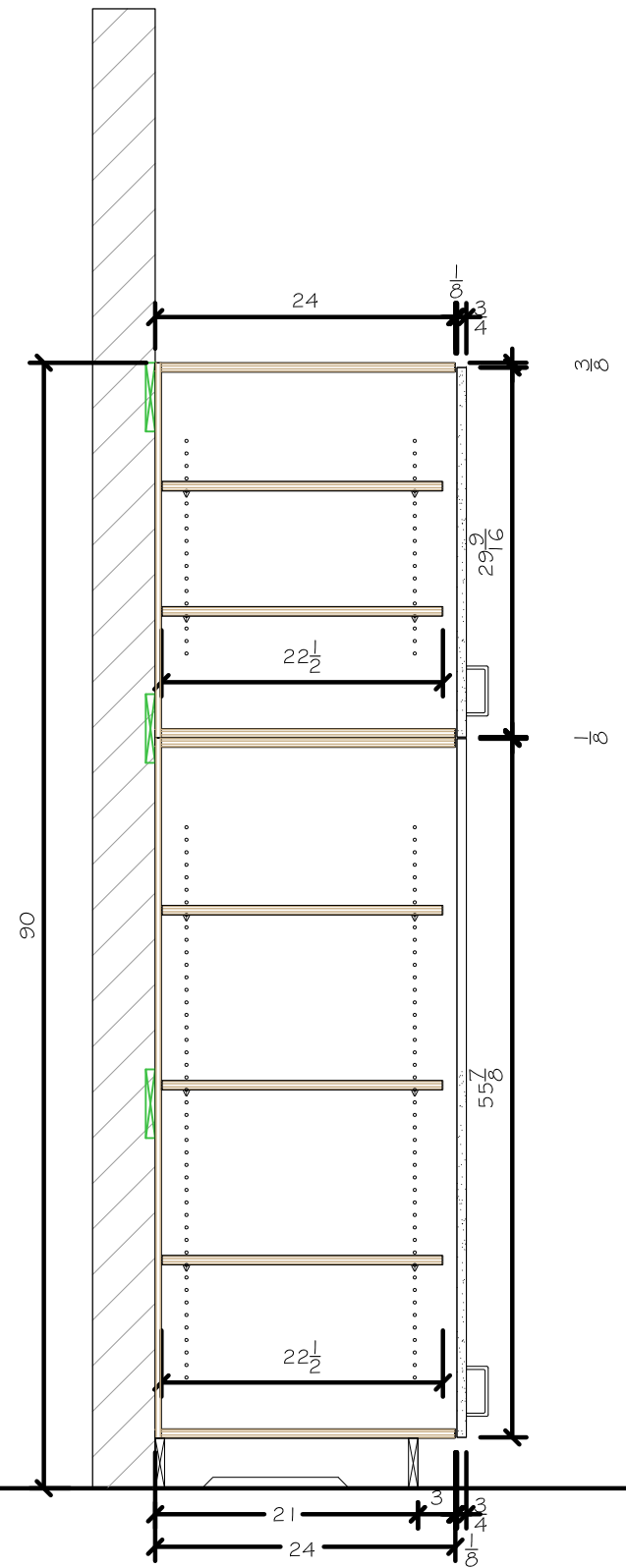
VETERAN OWNED BUSINESS

PAUL CHECKED  
DATE 07/25/23  
SCALE AS INDICATED

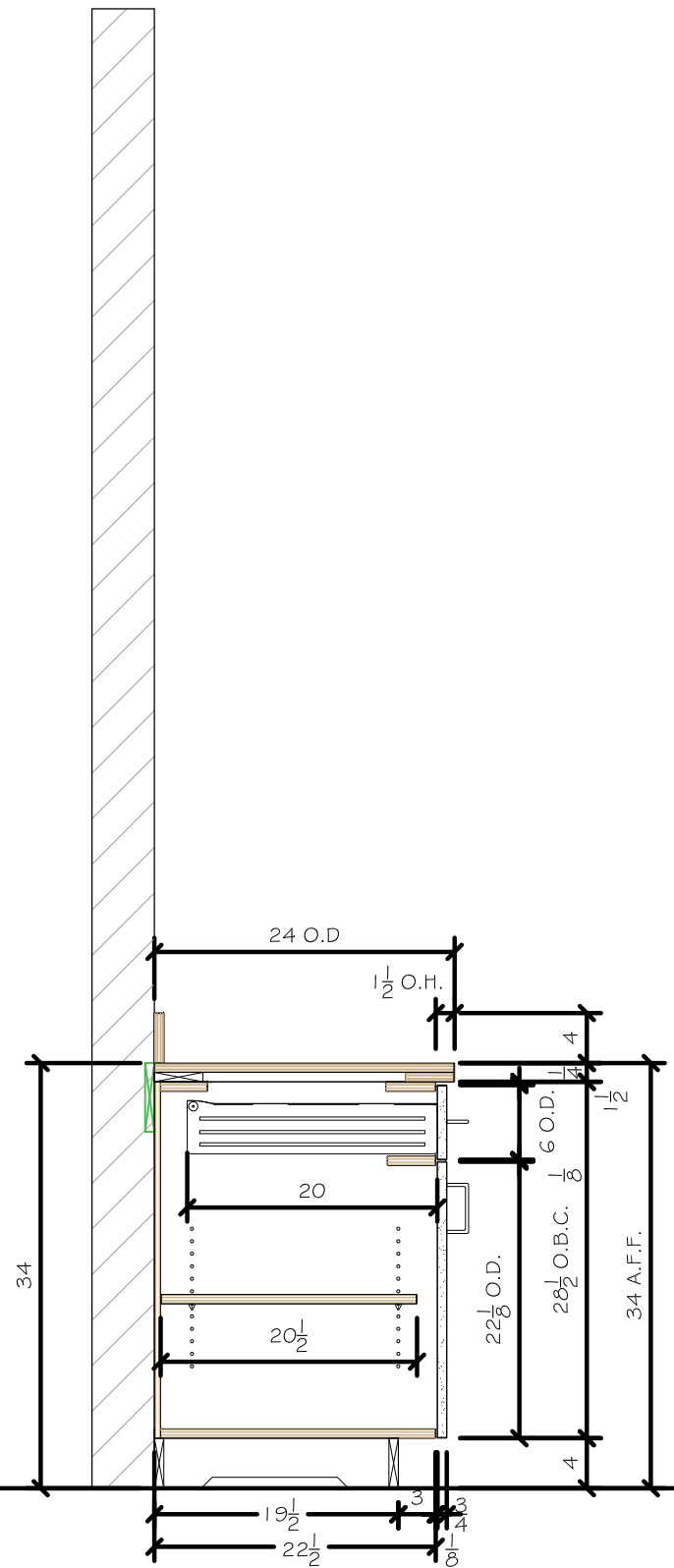
SHEET 100.7



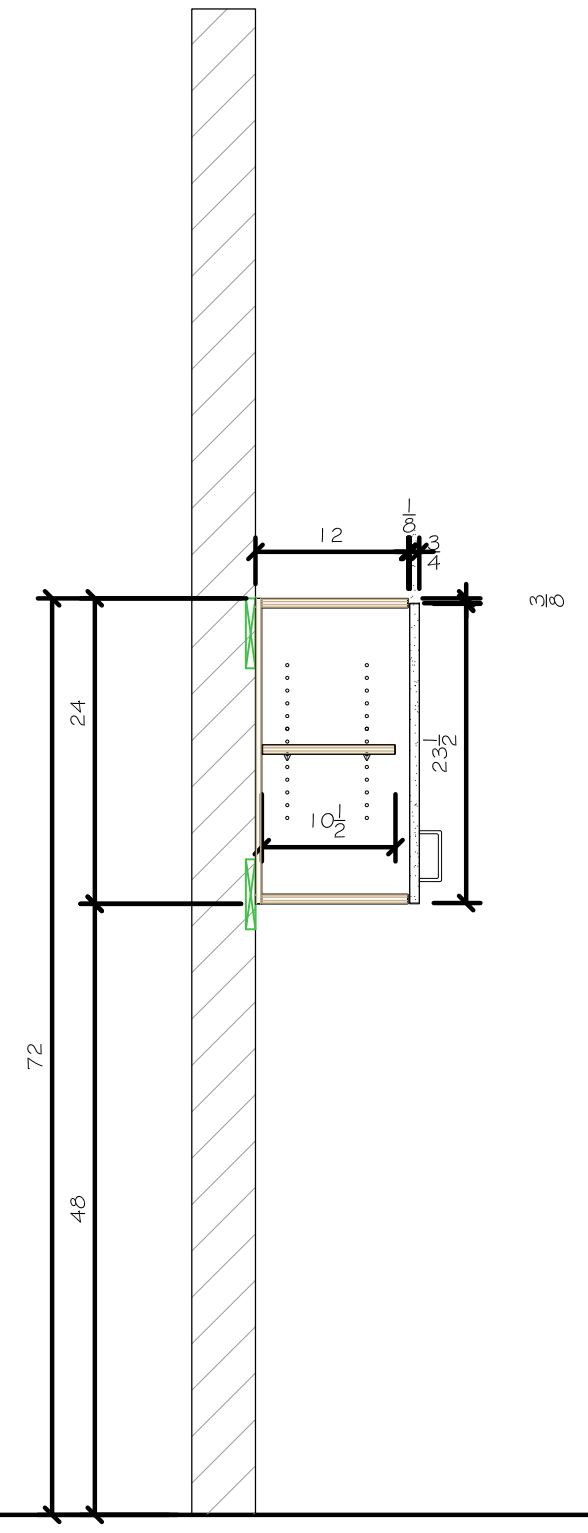
REVISIONS	#



**4 SECTION**  
 SCALE: 1" = 1'-0" ARCH. REF: N/A



**5 SECTION**  
 SCALE: 1" = 1'-0" ARCH. REF: N/A



**6 SECTION**  
 SCALE: 1" = 1'-0" ARCH. REF: N/A

JOB NAME  
 LIGHTBRIDGE ACADEMY

DESCRIPTION  
 SECTIONS

HEIRLOOMDESIGNGROUP

VETERAN OWNED BUSINESS  
 2770 Apopka Blvd, Apopka, FL 32703  
 Ph: (407) 735-2242  
 Web: www.heirloomsdesigngroup.com

PAUL CHECKED

DATE  
 07/25/23  
 SCALE  
 AS INDICATED

SHEET  
 100.8